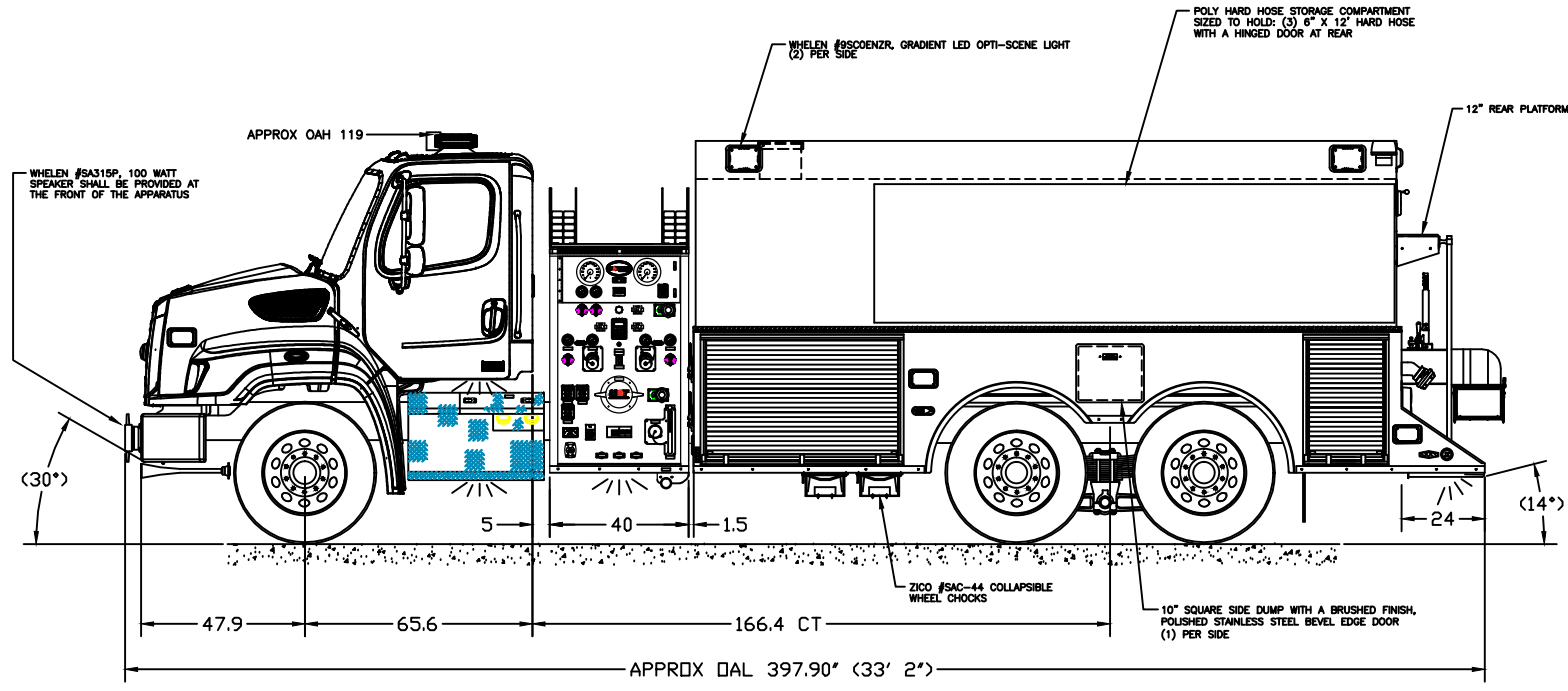


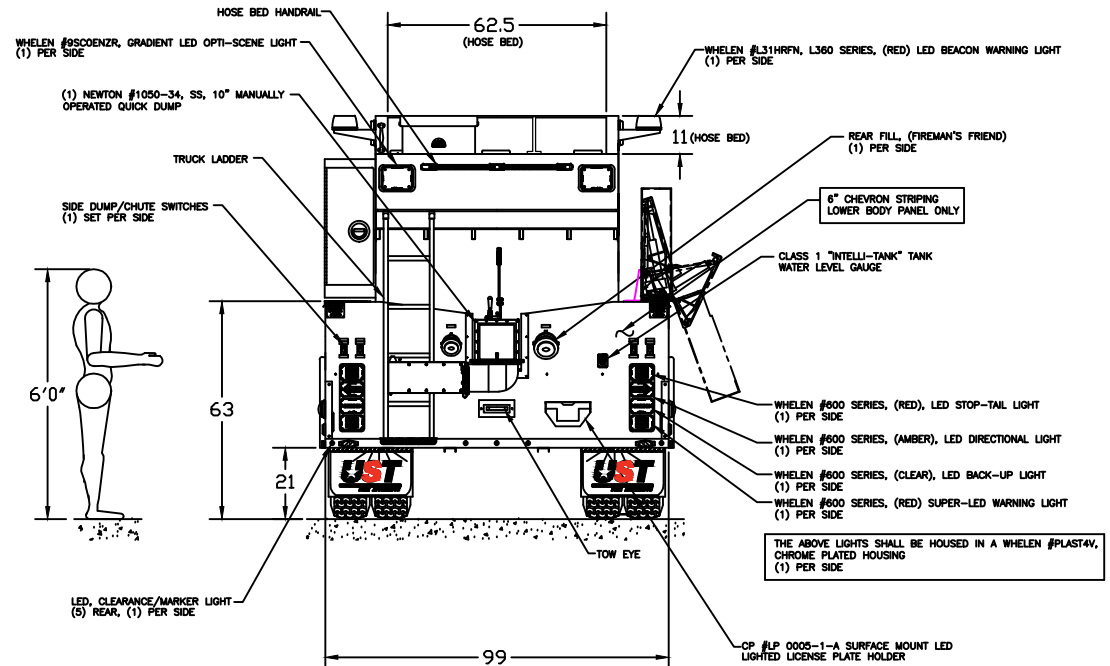
- NOTES:
1. BLACK "TURTLE TILE" DECKING SHALL BE INSTALLED IN EACH COMPARTMENT
 2. THE "TURTLE TILE" DECKING SHALL HAVE A 2" DEEP BLACK TAPERED EDGE BETWEEN THE COMPARTMENT DOOR AND THE FRONT EDGE OF THE DECKING
 3. STAINLESS STEEL HIGH HATS AND LUG NUT COVERS SHALL BE INSTALLED ON CHASSIS WHEELS
 4. THE CHASSIS EXHAUST SYSTEM SHALL REMAIN AS SUPPLIED FROM CHASSIS MFG
 5. (1) RED VINYL HOSE BED COVER WITH REAR WEIGHTED FLAP SHALL BE PROVIDED AND INSTALLED ALONG WITH (1) ADJUSTABLE POLY HOSE BED DIVIDER

(1) NEWTON #6012SW-34, 10" STAINLESS STEEL 90° ADAPTER SHALL BE SUPPLIED

HOSE BED SIZED TO HOLD:
 500' OF 5" HOSE
 250' OF 3" HOSE



NOTE: PUMP PANEL LAYOUT SHOWN IS FOR REFERENCE ONLY



COMPARTMENTATION	INSIDE DIMENSIONS		
	WIDTH	HEIGHT	DEPTH
STREET/CURB - FRONT	60"	39.63"	27"
STREET/CURB - REAR	24"	39.63"	27"

CUSTOMER APPROVAL		CUSTOMER	CORNWALL VOL. FIRE DEPT.
THIS DRAWING IS ONLY A REPRESENTATION OF THE PRODUCT. EXACT LOCATION OF COMPONENTS MAY DIFFER DUE TO MANUFACTURING/SUPPLIER CHANGE. WRITTEN SPECIFICATIONS SUPERSEDE PRINTS		SIZE	3000 GALLON
SIGNATURE _____		TANK MATERIAL	POLY IIE
TITLE _____		BODY MATERIAL	STAINLESS STEEL
DATE _____		CROSS SECTION	CUSTOM X 202" LG
CONCEPT <input type="checkbox"/> ORDER <input type="checkbox"/>		AFTERFRAME	84"
PROPOSAL <input checked="" type="checkbox"/> UST#UXXXX		PUMP	HALE QMAX 1500 GPM
		CHASSIS	FREIGHTLINER 114SD
		DRAWN BY	JLB DATE 10/15/15
THIS DRAWING IS FOR REFERENCE ONLY			



1827 HOBBS DR.
 DELAVAN, WI. 53115
 PHONE: 1-(800)-279-4911
 FAX: 1-(262)-757-7557
 E-MAIL: SALES@USTANKER.COM
 WEBSITE: WWW.USTANKER.COM