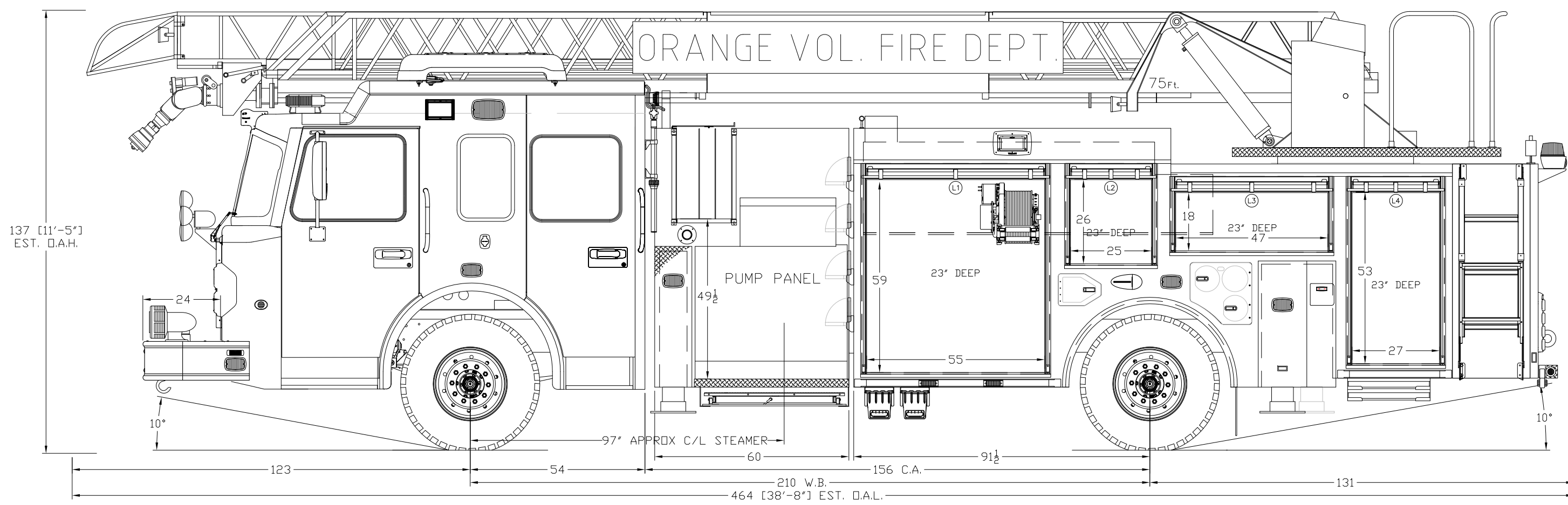
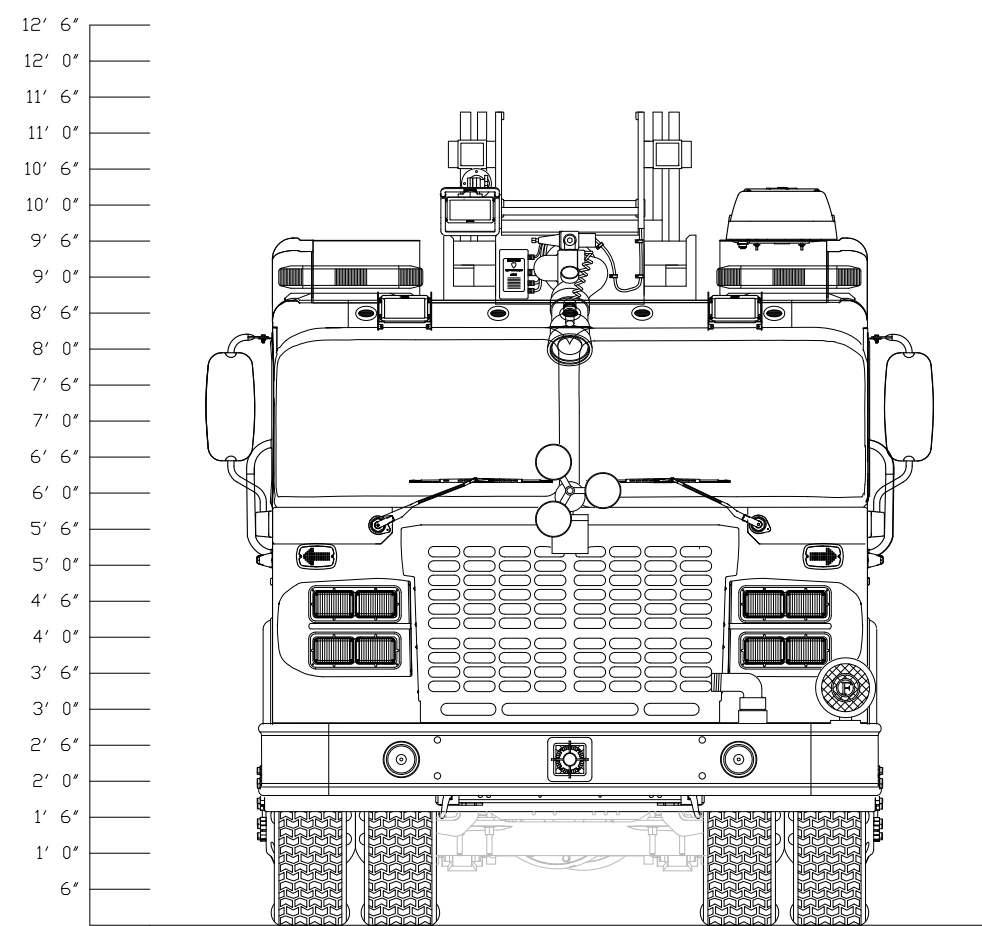
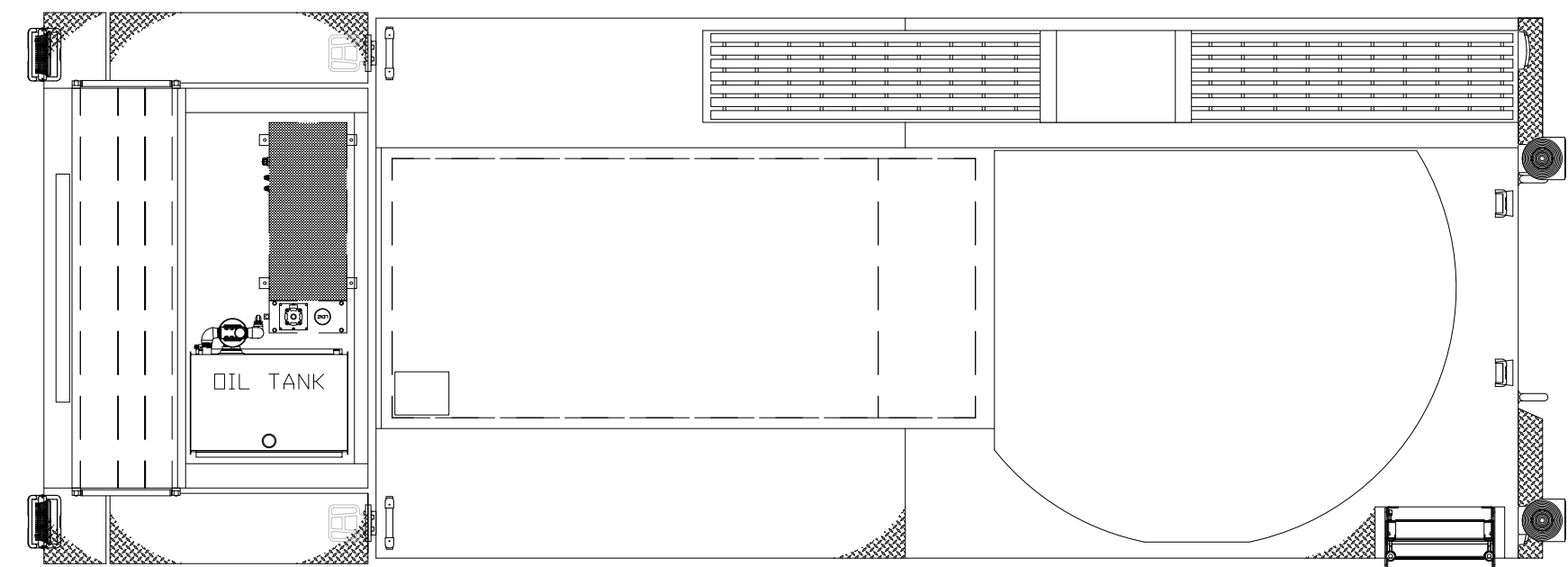
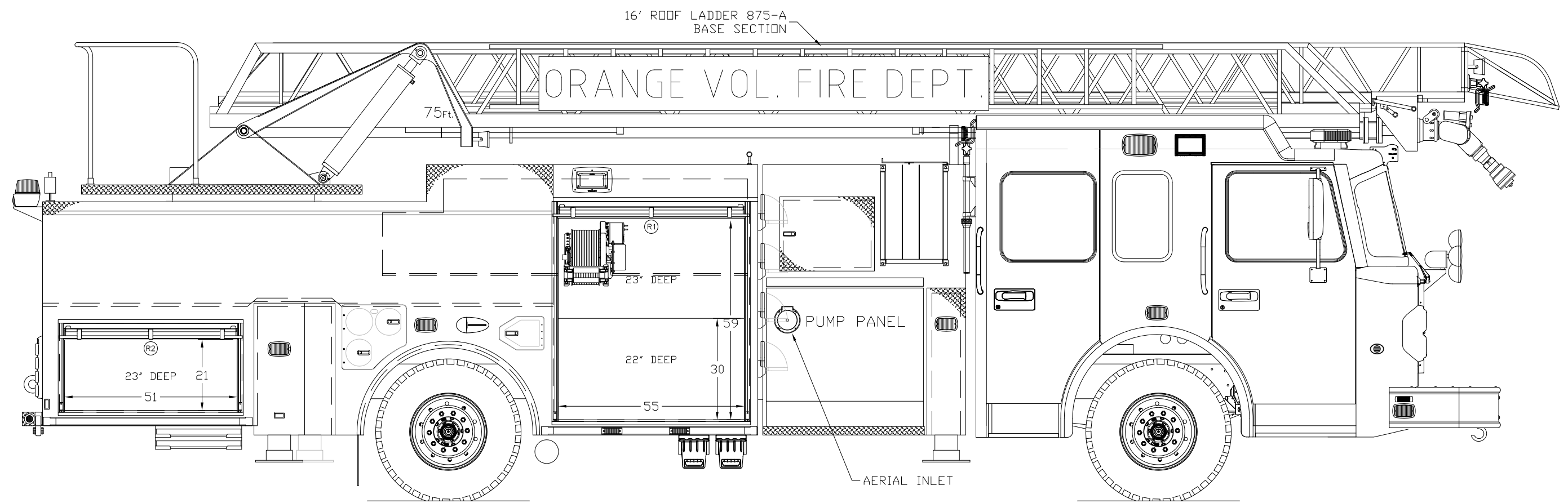


GROUND LADDERS & PIKE POLES			
ITEM	DESCRIPTION	MODEL	QTY
A	35' 3 SEC	1225-A	1
B	28' 2 SEC	1200-A	1
C	16' ROOF	875-A	2
D	14' COMBO	35-B	1
E	10' ATTIC	585-A	1
F	4' D-HANDLE	NYFG-4	2
G	6' PIKE POLE	RH-6	2
H	8' PIKE POLE	RH-8	2
I	12' PIKE POLE	RH-12	2

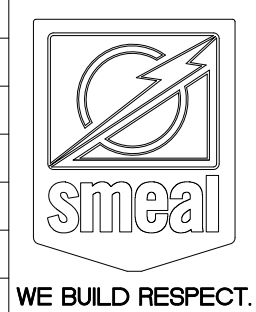


CHASSIS: SPARTAN GLADIATOR MFD 10" RAISED ROOF WITH 10" TRENCH
 ENGINE: CUMMINS X15 505HP WITH ALLISON 4000 EVS
 PUMP: WATERLOUS CSUC20 1500 GPM
 WATER TANK: 500 GAL
 FOAM CELL: N/A
 BODY: 1/8" ALUMINUM
 HOSE BED: 1000' OF 5" / 48 CUBIC FEET
 GENERATOR: HARRISON 10kW MCR
 COMPARTMENTS: 187 CUBIC FEET
 ADDITIONAL PENETRATION STABILIZERS

FOR REFERENCE
 PURPOSES ONLY

PROPOSAL

Approval Signatures		Date
CUSTOMER		
DEALER		
SMEAL SALES		
PRODUCTION		
ENGINEERING		



Revisions		

SMEAL FIRE APPARATUS SNYDER, NE 68664		
ORANGE, CT 75' REAR MOUNT AERIAL		
Drawn by: CL	Scale: 3/8"=1'	Material:
Chk'd:	Date: 6/27/17	Drawing No: 17402-03
11 x 17	BID	